

*DigiFILTERs*





# Contents

<i>DigiFILTER</i> . . . . .	<b>3</b>
for 50 mL <i>DigiTUBE</i> s. . . . .	3
for 100 mL <i>DigiTUBE</i> s . . . . .	3
<i>DigiFILTER</i> Manifold . . . . .	<b>4</b>
<i>DigiFILTER</i> Field Filtration Kit . . . . .	<b>5</b>
Collect, filter, preserve and store samples. . . . .	5

# DigiFILTER

## for 50 mL DigiTUBEs

Filter size	Filter material	Qty. per Package	Part Number
0.2 µm	Teflon®	100	010-500-088
0.45 µm		100	010-500-070
1 µm		100	010-500-080
10 µm		100	010-500-074
0.45 µm	Teflon® (HP)*	100	010-500-370
0.45 µm	MetriCEL™ Membrane	100	010-500-072
0.7 µm	Glass Fiber**	100	010-500-082

## for 100 mL DigiTUBEs

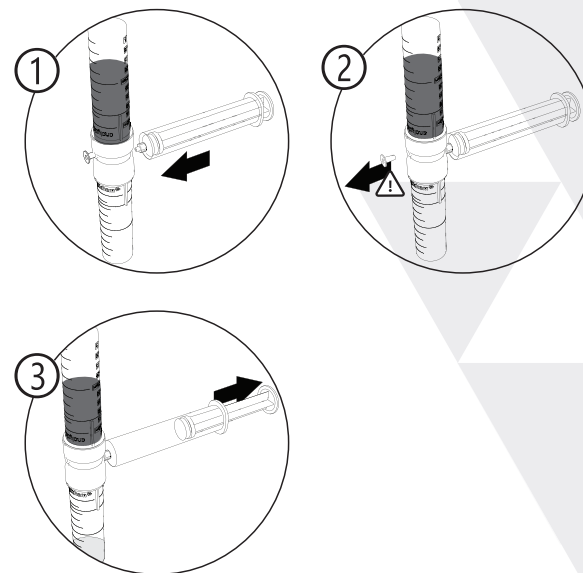
Filter size	Filter material	Qty. per Package	Part Number
0.2 µm	Teflon®	50	010-501-088
0.45 µm		50	010-501-070
1 µm		50	010-501-080
10 µm		50	010-501-074
0.45 µm	Teflon® (HP)*	50	010-501-370
0.7 µm	Glass Fiber**	50	010-501-082

\* Higher-purity due to manufacturing process.

\*\* For TCLP.

DigiFILTERs enable the filtration of particulates from digested samples in a matter of seconds, allowing users to achieve repeatable sample preparation while increasing lab productivity.

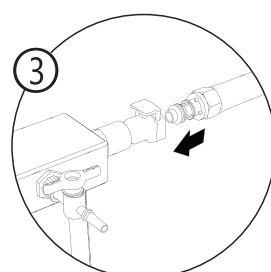
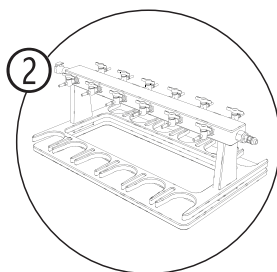
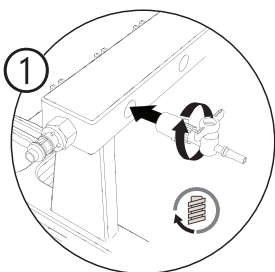
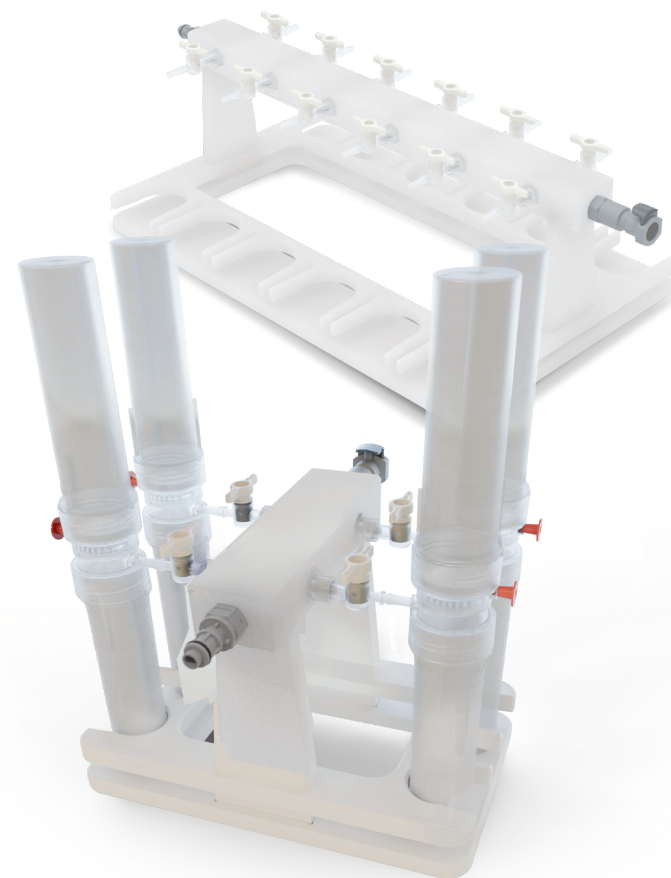
The dual-headed cap is made from virgin polypropylene with low leachable metal content and is available complete with 0.2, 0.45, 0.7, 1.0, or 10 µm porosity membranes. Choose from our membrane types (Teflon®, MetriCEL, or glass fiber) and DigiTUBE sizes (50 mL or 100 mL) to optimize your sample preparation.



# DigiFILTER Manifold

Filter size	Part Number
DigiFILTER Manifold, 50 mL, 4 Position	010-500-234
DigiFILTER Manifold, 50 mL, 12 Position	010-500-230
DigiFILTER Manifold, 100 mL, 4 Position	010-501-234
DigiFILTER Manifold, 100 mL, 12 Position	010-501-238
Replacement Stopcocks, Polycarb (package of 12)	010-500-231
Vacuum Pump 20L/min (115 V)	010-500-235
Vacuum Pump 80L/min (115V)	010-500-237
Vacuum Pump 17L/min (230V)	010-790-509
Vacuum Pump 58L/min (230V)	010-500-239
PTFE Vacuum Pump (110 V)	010-790-530
PTFE Vacuum Pump (220 V)	010-790-531
DigiFILTER Syringe	010-500-078

The vacuum assisted *DigiFILTER* assembly provides a quick and easy way to filter multiple samples simultaneously prior to analysis. Select from the 4- or 12- position manifold for 50 mL or 100 mL *DigiTUBEs*. These manifolds can be used individually or set up in a series enabling you to scale your process to your requirements.





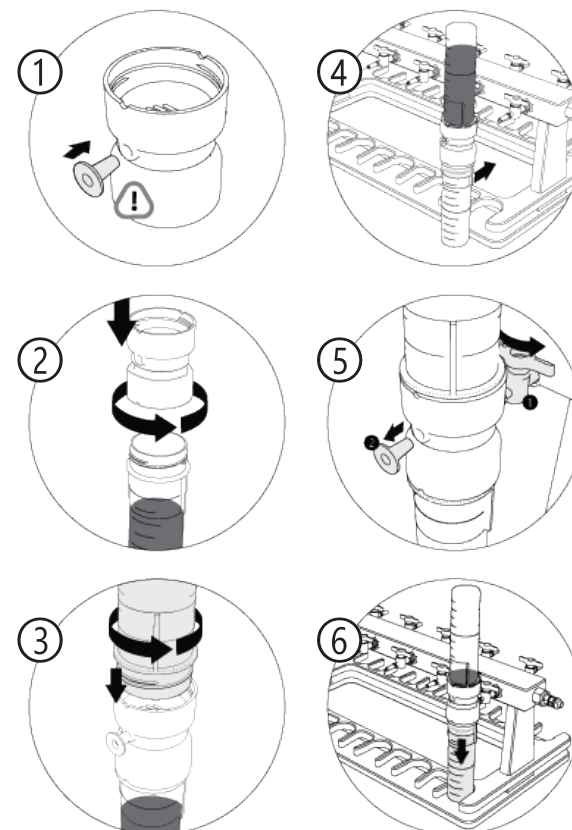
# DigiFILTER Field Filtration Kit

Name	Includes	Part Number
Field Filtration Kit 0.45 µm	25 DigiFILTER with 0.45 µm Teflon® filter membranes. Each individual DigiFILTER is packaged to prevent field contamination	010-500-170
	30 DigiTUBEs with screw caps in place	
	1 x 6 mL Eyedropper Bottle to dispense 2 to 3 drop of PlasmaPURE Nitric Acid (1:1)	
	1 Foam Storage Rack	
	1 Sharpie Pen	
	2 x 60 mL Plastic Syringes to create a vacuum to filter samples from the collection vessel to sample tube	

**Collect, filter, preserve and store samples.**

## Procedure:

Collect water sample in *DigiTUBE*. Connect *DigiFILTER* to sample tube, screw second tube in place. Connect the syringe with plunger at bottom of syringe cylinder. Use the syringe to pull a vacuum through the Luer connector. Repeat the last step if sample requires continued filtration.







Americas & Asia  
[salesna@analytichem.com](mailto:salesna@analytichem.com)

EMEA  
[info@analytichem.com](mailto:info@analytichem.com)

Australia  
[sales@ore.com.au](mailto:sales@ore.com.au)

Additional Info & Contacts  
[www.analytichem.com](http://www.analytichem.com)

